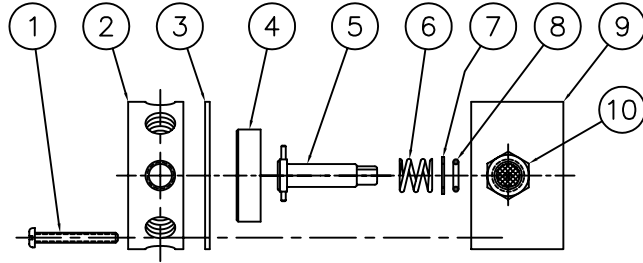
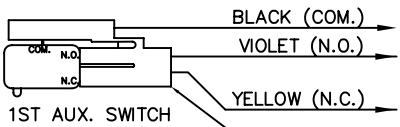
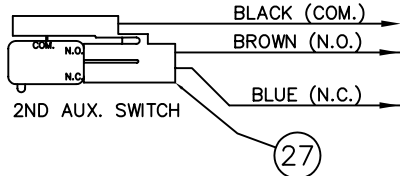


PILOT CONTROL ASSEMBLY



OPTIONAL AUX. SWITCHES

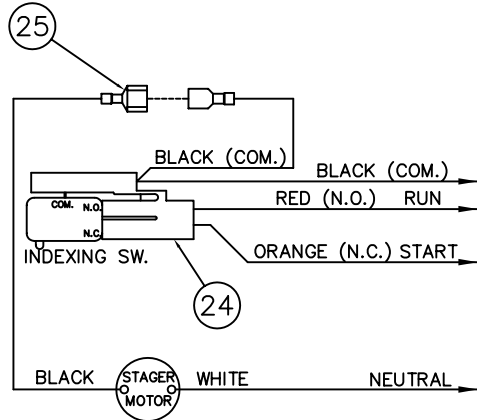
MAXIMUM OF TWO (2)



SWITCH RATINGS

- 11A 1/3HP
- 125, 250, 277 VAC
- 1/2A 125 VDC
- 1/4A 250 VDC
- 4A 125 VAC L

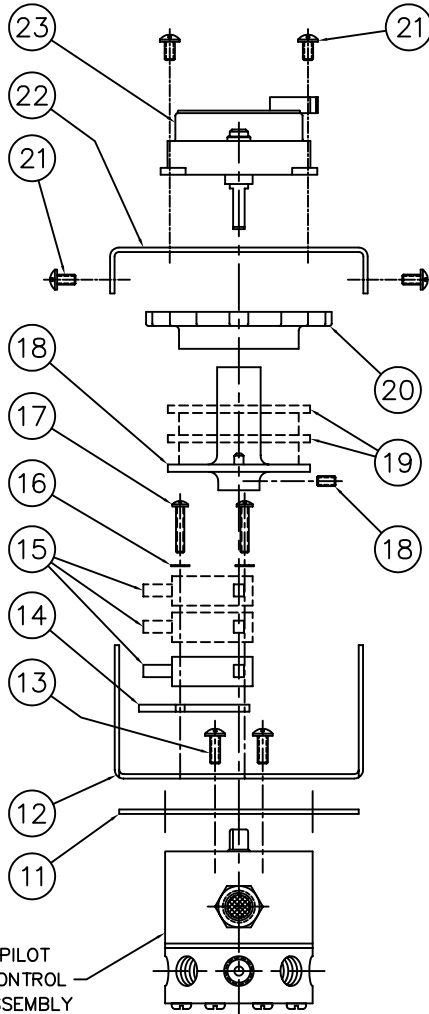
STANDARD WIRING



INTERNAL PARTS KITS

STAGER PROGRAM	INTERNAL PARTS KITS STD. PROGRAMS	INTERNAL PARTS KITS INVERTED PROGRAMS
51-06		
51-07	1074888 (51-IA-00)	
51-09		
51-10	1074890 (51-IA-10)	
51-11	1074891 (51-IA-11)	
51-12	1074892 (51-IA-12)	
51-86	1074893 (51-IA-86)	1077587 (51-IA-86I)
51-87		
51-SP	1074887 (51-IA-SP)	SPECIFY DWG. NO. WHEN ORDERING THESE PARTS

* INTERNAL PARTS KITS INCLUDE ITEM NOS. 3, 4, 6, 7 & 8 ALONG WITH A SMALL PACKET OF SILICON COMPOUND



NO.	DESCRIPTION	PART NO.	QTY.
1	PAN HD. MACH. SCR. (6-32 X 1 1/8")	1075760 (SCS-0076)	4
2	BACKPLATE	PER PROGRAM	1
3	GASKET (SEE NOTE 3)	1075675 (96034)	1
4	STEMPLATE (SEE NOTE 3)	PER PROGRAM	1
5	STEMSHAFT	1070438	1
6	SPRING (SEE NOTE 3)	1075242 (54-S)	1
7	WASHER (SEE NOTE 3)	1075241 (54-R)	1
8	O-RING (SEE NOTE 3)	1071716 (ORE-011)	1
9	BONNET	1074883 (51-B)	1
10	FILTERED INLET (1/8" N.P.T.)	1074825 (48-Q)	1
11	MOUNTING PLATE GASKET	1075674 (96B050)	1
12	BOTTOM MOUNTING BRACKET	1077824	1
13	PAN HD. MACH. SCR. (6-32 X 3/8")	1072371 (SCS-0070)	2
14	INSULATOR	1075455 (58B019)	1
15	SWITCH	1075499 (58013)	1-3
16	LOCK WASHER (NO. 4)	1073593 (WAS-0015)	2
17	PAN HD. MACH. SCREW (4-40 THREAD)	1 SWITCH	1072369 (SCS-0064)
		2 SWITCHES	1075757 (SCS-0065)
		3 SWITCHES	1072389 (SCS-0151)
18	INDEXING CAM (SEE NOTE 1)	1076243	1
	SET SCREW (6-32)		1
19	AUXILIARY CAM (SEE NOTE 2)	1075451 (58B017)	0-2
20	THUMB WHEEL	1075454 (58B018)	1
21	TAPTITE SCREW (6-32 X 1/4")	1075746	6
22	MOTOR MOUNTING BRACKET	1070436	1
23	MOTOR (4 WATTS MAX.)	115VAC 60HZ	1075748
		230VAC 50/60HZ	1075749
		24VAC 50/60HZ	1075750
		12VAC 50/60HZ	1075753
24	WIRE HARNESS (STANDARD)	1075464 (58B030)	1
25	MALE CONNECTOR	1075498 (58012)	1
26	WIRE HARNESS (1ST AUX. SWITCH)	1075501 (58015)	1
27	WIRE HARNESS (2ND AUX. SWITCH)	1075502 (58016)	1

NOTES:

1. STAGER PROGRAM MUST BE SPECIFIED WHEN ORDERING THIS PART.
2. MUST SPECIFY IN WHICH POSITION(S) SWITCH OUTPUT(S) ARE REQUIRED.
3. SUPPLIED AS A KIT ONLY.

C	NUMBER CONVERSION	1588	13DECO2	
REV.	DESCRIPTION	ECO	DATE	APVD
<p>20580 Enterprise Avenue Brookfield, WI 53045 888.784.9065 www.Pentairwatertreatment.com</p>				
<p>SERIES 51 STAGER ASSEMBLY ASSEMBLY DRAWING</p>				
SCALE	DRAWN	DATE	DWG. NO.	
3/8	MSM	19Feb01	1077770	

SERIES 51 STAGER ASSEMBLY

