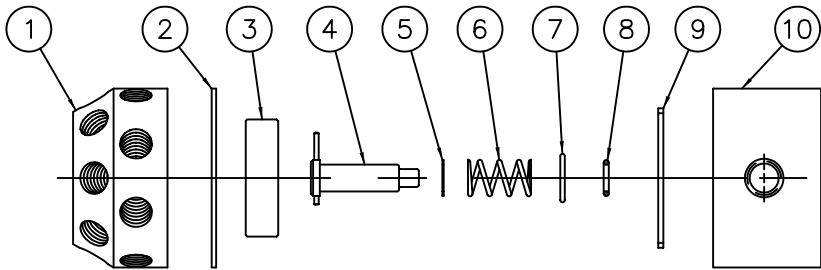
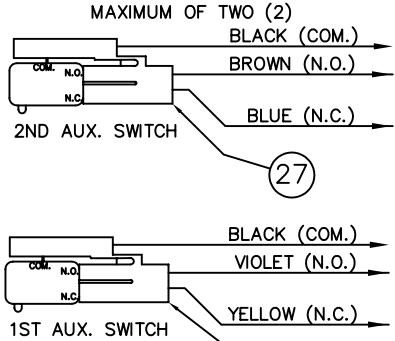


PILOT CONTROL ASSEMBLY



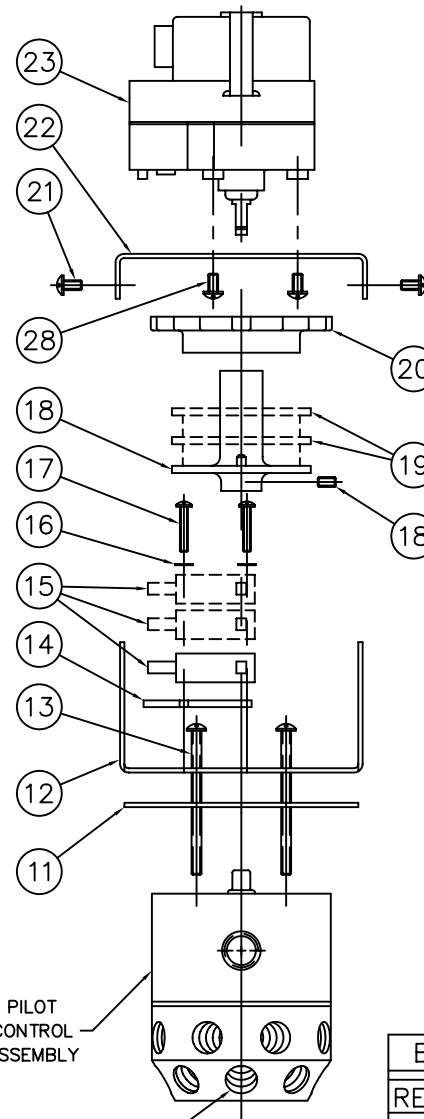
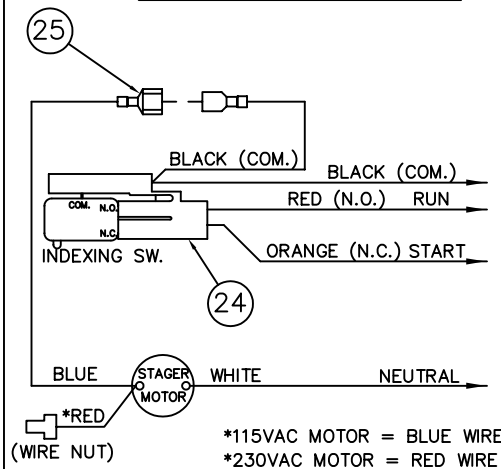
OPTIONAL AUX. SWITCHES



SWITCH RATINGS

11A 1/3HP
125, 250, 277 VAC
1/2A 125 VDC
1/4A 250 VDC
4A 125 VAC L

STANDARD WIRING



PILOT CONTROL ASSEMBLY

PORT NO. 13 (IN-LINE WITH INLET PORT)

NO.	DESCRIPTION	PART NO.	QTY.
1	BACKPLATE	PER PROGRAM	1
2	BACKPLATE GASKET (SEE NOTE 3)	1084170 (58-KZ)	1
3	STEMPLATE (SEE NOTE 3)	PER PROGRAM	1
4	STEMSHAFT	1070439	1
5	WASHER (SEE NOTE 3)	1075395 (58-AH)	1
6	SPRING (SEE NOTE 3)	1075424 (58-S)	1
7	INSERT (SEE NOTE 3)	1075406 (58-DA)	1
8	O-RING (SEE NOTE 3)	1071668 (ORB-012)	1
9	O-RING (SEE NOTE 3)	1075425 (58-T)	1
10	BONNET	1075404 (58-B)	1
11	MOUNTING PLATE GASKET	1075407 (58-DC)	1
12	BOTTOM MOUNTING BRACKET	1070437	1
13	PAN HD. MACH. SCR. (8-32 X 2")	1072378 (SCS-0087)	4
14	INSULATOR	1075424 (58B019)	1
15	SWITCH	1075499 (58013)	1-3
16	LOCKWASHER (NO. 4)	1073593 (WAS-0015)	2
17	PAN HD. MACH. SCREW (4-40 THREAD)	1 SWITCH 1072369 (SCS-0064) 2 SWITCHES 1075757 (SCS-0065) 3 SWITCHES 1072389 (SCS-0151)	2
18	INDEXING CAM (SEE NOTE 1) (CAM INCLUDES 6-32 SET SCREW)	1076243	1
19	AUXILIARY CAM (SEE NOTE 2)	1075451 (58B017)	0-2
20	THUMB WHEEL	1075454 (58B018)	1
21	TAPTITE SCREW (6-32 X 1/4")	1075746	4
22	MOTOR MOUNTING BRACKET	1070436	1
23	MOTOR	115VAC 60HZ 1075434 (58B000) 230VAC 50/60HZ 24VAC 50/60HZ 1075438 (58B004) 12VAC 50/60HZ 1075779	1
24	WIRE HARNESS (STANDARD)	1075464 (58B030)	1
25	MALE CONNECTOR	1075498 (58012)	1
26	WIRE HARNESS (1ST AUX. SWITCH)	1075501 (58015)	1
27	WIRE HARNESS (2ND AUX. SWITCH)	1075502 (58016)	1
28	SCREW (M3 X 0.5 X 6)	1072396 (SCS-0167)	3

NOTES:

1. STAGER PROGRAM MUST BE SPECIFIED WHEN ORDERING THIS PART.
2. MUST SPECIFY IN WHICH POSITION(S) SWITCH OUTPUT(S) ARE REQUIRED.
3. SUPPLIED AS A KIT ONLY.

INTERNAL PARTS KITS

STAGER PROGRAM	INTERNAL PARTS KITS STD. PROGRAMS	INTERNAL PARTS KITS INVERTED PROGRAMS
58-00	1075411 (58-IA-00)	
58-01	1075412 (58-IA-01)	
58-02	1075413 (58-IA-02)	
58-03	1075414 (58-IA-03)	
58-07	1075415 (58-IA-07)	
58-10	1075416 (58-IA-10)	
58-TA	1075409 (58-IA-TA)	1075410 (58-IA-TAI)
58-TB	1081806 (58-IA-TB)	
58-SP	1075408 (58-IA-SP)	

SPECIFY DWG. NO. WHEN ORDERING THESE PARTS

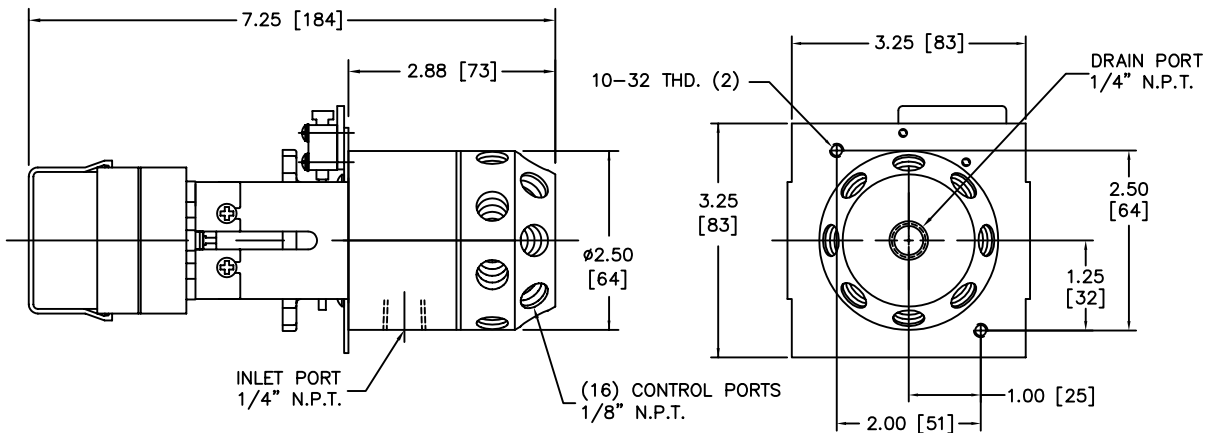
* INTERNAL PARTS KITS INCLUDE ITEM NOS. 2, 3, 5, 6, 7, 8 & 9 ALONG WITH A SMALL PACKET OF SILICON COMPOUND

REV.	DESCRIPTION	ECO	DATE	APVD
B	NUMBER CONVERSION	1588	20DEC02	

		20580 Enterprise Avenue Brookfield, WI 53045 888.784.9065 www.Pentairwatertreatment.com	
SERIES 58 STAGER ASSEMBLY ASSEMBLY DRAWING			
SCALE	DRAWN	DATE	DWG. NO.
3/8	MSM	03May01	1077898

Form No. 1077897

SERIES 58 STAGER ASSEMBLY

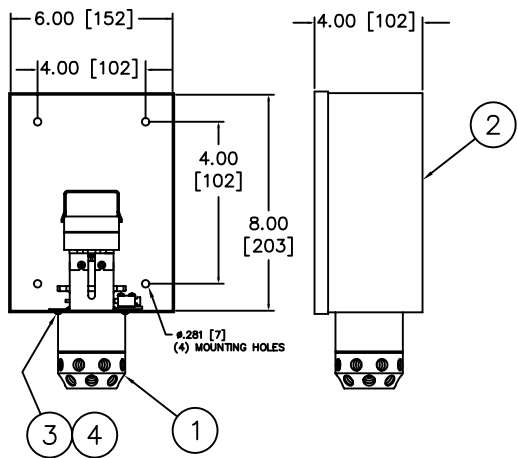


NO.	DESCRIPTION	PART NO.	QTY.
1	STAGER ASSEMBLY	R058-___-___C	1
2	ENCLOSURE	NEMA 1 1075422 (58-R)	1
		NEMA 4 1075423 (58-RA)	
		NEMA 4XFG 1073665 (ZENC0409)	
3	PAN HEAD MACHINE SCREW 10-32 x 1/2" LONG	1075758 (510-BU)	2
4	LOCKWASHER (NO. 10)	1073588 (WAS-0005)	2

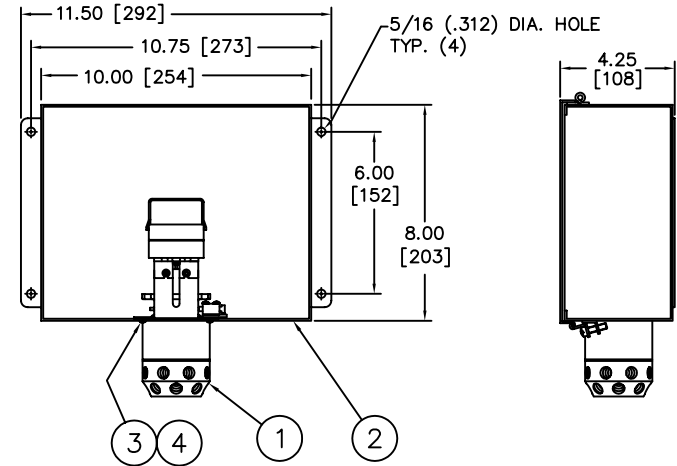
NOTE:
1. STAGERS CAN BE MANUALLY ADVANCED BY ROTATING THE CAM CLOCKWISE.
2. PIPING SCHEMATICS AVAILABLE UPON REQUEST.

INCHES [MILLIMETERS]

NEMA 1 ENCLOSURE



NEMA 4 ENCLOSURE



SERIES NO.	DESCRIPTION
58-00	2 COLUMN DEIONIZER
58-01	FILTER (DOUBLE ACTING VALVES)
58-02	2 COLUMN DEIONIZER (CATION OUTLET VALVE)
58-03	3 TANK SEQUENTIAL FILTER
58-04	4 TANK SEQUENTIAL FILTER
58-07	MIXED BED DEIONIZER (SIMULTANEOUS REGEN.)
58-10	MIXED BED DEIONIZER
58-TA	2 TANK ALTERNATOR
58-TB	2 TANK ALTERNATOR WITH TIMED BRINE
58-SP	CUSTOM PROGRAM

Form No. 1077897

B	NUMBER CONVERSION	1588	20DEC02	
REV.	DESCRIPTION	ECO	DATE	APVD
		20580 Enterprise Avenue Brookfield, WI 53045 888.784.9065 www.Pentairwatertreatment.com		
SERIES 58 STAGER PROGRAMS AND MOUNTING DRAWING				
SCALE	DRAWN	DATE	DWG. NO.	
N/A	MSM	04May01	1077898	