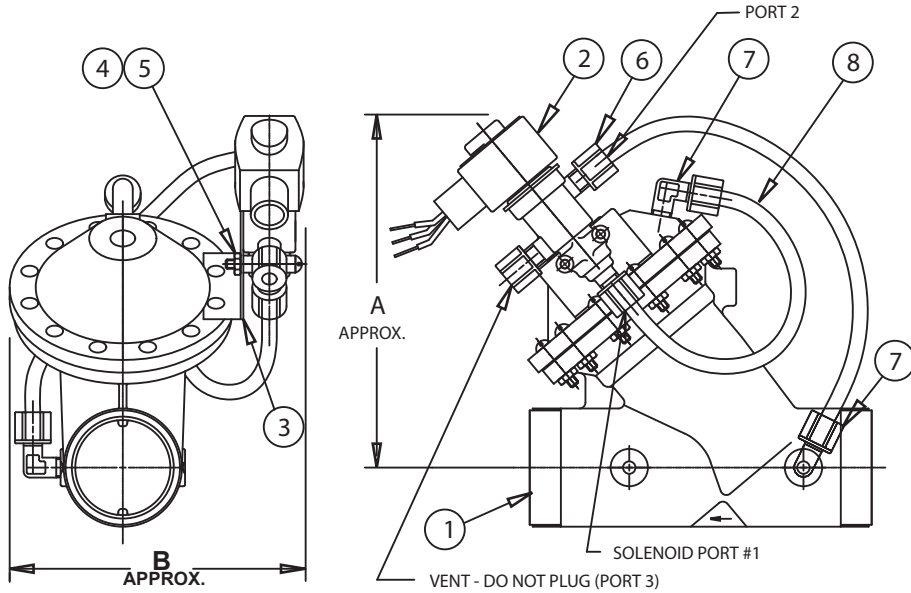


NOTE:

1. LENGTH OF TUBING VARIES WITH EACH SIZE OF DIAPHRAGM VALVE.
2. DIAPHRAGM VALVE IS NORMALLY OPEN, PRESSURE TO CLOSE
3. BOSS NO. 1 ON VALVE TAPPED 1/8" N.P.T. (520, 521, 524) 1/4" N.P.T. (526)
4. DRY DRAIN OPTION - VENT PORT OF SOLENOID IS CONNECTED TO DOWNSTREAM SIDE OF VALVE.



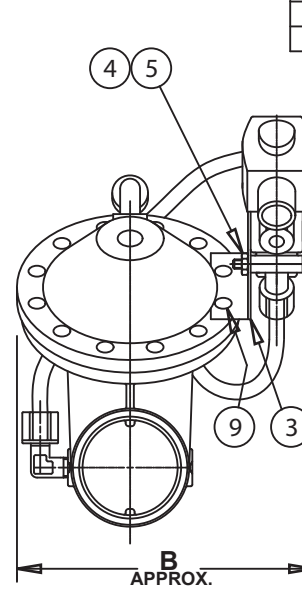
ENERGIZED TO CLOSE

SOLENOID ENERGIZED.

UPSTREAM PRESSURE, FROM SOLENOID PORT 2 TO PORT 1, IS APPLIED TO UPPER DIAPHRAGM CHAMBER TO CLOSE THE DIAPHRAGM VALVE.

SOLENOID DE-ENERGIZED.

PRESSURE FROM UPPER DIAPHRAGM CHAMBER IS VENTED, THROUGH SOLENOID PORT 1 TO PORT 3 TO DRAIN. UPSTREAM PRESSURE OPENS THE DIAPHRAGM VALVE.



ENERGIZED TO OPEN

SOLENOID DE-ENERGIZED.

UPSTREAM PRESSURE, FROM SOLENOID PORT 3 TO PORT 1, IS APPLIED TO UPPER DIAPHRAGM CHAMBER TO CLOSE THE DIAPHRAGM VALVE.

SOLENOID ENERGIZED.

PRESSURE FROM UPPER DIAPHRAGM CHAMBER IS VENTED, THROUGH SOLENOID PORT 1 TO PORT 2 TO DRAIN. UPSTREAM PRESSURE OPENS THE DIAPHRAGM VALVE.

NO.	DESCRIPTION	PART NO.	QTY.
1	DIAPHRAGM VALVE - NORMALLY OPEN		1
2	3 WAY SOLENOID VALVE (NEMA 4 ONLY)	110 V. 60 HZ.	1075637
		220 V. 50 HZ.	1075638
		24 V. 60 HZ.	1075639
3	SOLENOID MOUNTING BRACKET	1074783	1
4	RD. HD. MACH. SCREW (8-32 X 1 1/4")	1072377	2
5	HEX NUT (8-32)	1079811	2
6	NUT AND SLEEVE ASSEMBLY (1/4" TUBE)	1071939	3
7	90° ELBOW	1/8" M. X 1/4" TUBE 520 - 524	1078769
		1/4" M. X 1/4" TUBE 526	1078770
8	NYLON TUBING - BLACK (1/4" O.D.) (NOTE 1)	1071936	N/A
9	RD. HD. MACH. SCREW (526 ONLY)	3003551	2

VALVE SERIES	PIPE SIZE	A	B
520	3/8", 1/2"	5.87	4.12
		149.1	104.6
521	3/4", 1"	6.52	5.12
		165.6	130.0
524	1-1/2", 2"	7.62	6.25
		193.5	158.75
526	2-1/2", 3"	9.62	7.87
		244.3	200.0

INCHES
MILLIMETERS

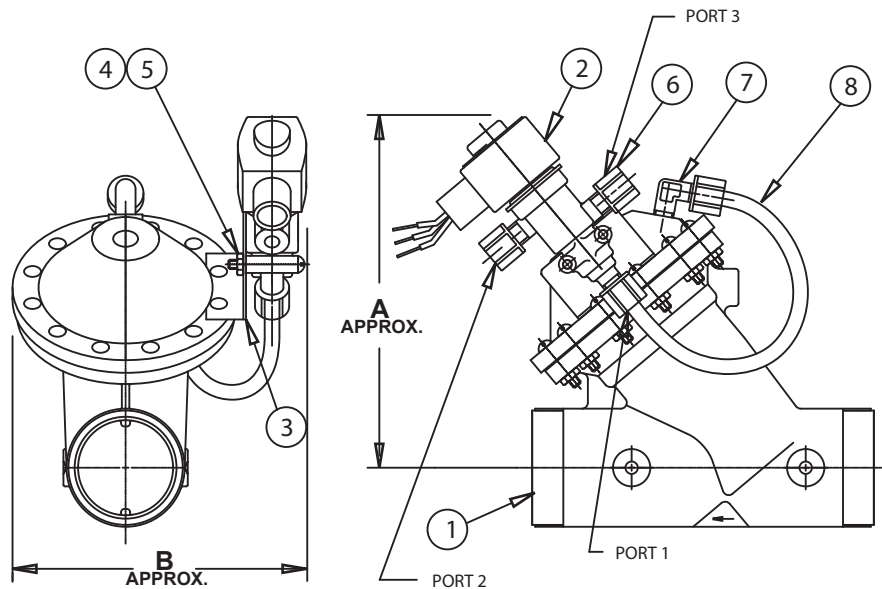
FORM NO. 1081312

REV	DESCRIPTION	ECO	DWN	DATE	APVD
B	UPDATED FITTINGS PART NOS.	NONE	MSM	18SEP06	
<p>20580 Enterprise Avenue Brookfield, WI 53045 888.784.9065 www.Pentairwatertreatment.com</p>					
<p>SERIES K520 THRU K526 DIA. VALVES SOLENOID OPERATED VALVES</p>					
DRAWN	JWB	DATE	02JUL01	DRAWING NO.	1078160

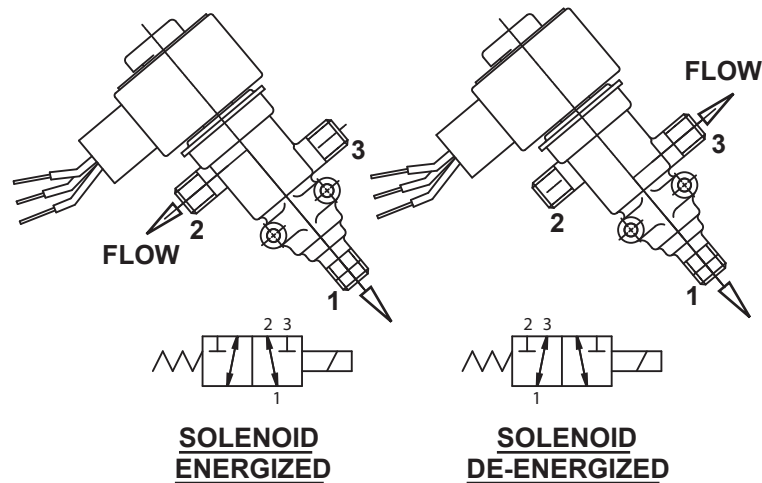
SOLENOID OPERATED DIAPHRAGM VALVES

NOTE:

1. LENGTH OF TUBING VARIES WITH EACH SIZE OF DIAPHRAGM VALVE.
2. DIAPHRAGM VALVE IS NORMALLY OPEN



NO.	DESCRIPTION	PART NO.	QTY.
1	DIAPHRAGM VALVE - NORMALLY OPEN		1
2	3 WAY SOLENOID VALVE (NEMA 4 ONLY)	110 V. 60 HZ.	1075637
		220 V. 50 HZ.	1075638
		24 V. 60 HZ.	1075639
3	SOLENOID MOUNTING BRACKET	1074783	1
4	RD. HD. MACH. SCREW (8-32 X 1 1/4")	1072377	2
5	HEX NUT (8-32)	1079811	2
6	NUT AND SLEEVE ASSEMBLY (1/4" TUBE)	1071939	3
7	90° ELBOW	1/8" M. X 1/4" TUBE	520 - 524
		1/4" M. X 1/4" TUBE	526
8	NYLON TUBING - BLACK (1/4" O.D.) (NOTE 1)	1071936	N/A



INDEPENDENT CONTROL PRESSURE

ENERGIZE TO OPEN

APPLY CONTROL PRESSURE AT SOLENOID PORT NO. 3
(PORT NO. 2 VENTED)

ENERGIZE TO CLOSE

APPLY CONTROL PRESSURE AT SOLENOID PORT NO. 2
(PORT NO. 3 VENTED)

CONTROL PRESSURE MUST BE EQUAL TO OR GREATER
THAN LINE PRESSURE.

VALVE SERIES	PIPE SIZE	A	B
520	3/8", 1/2"	5.87	4.12
		149.1	104.6
521	3/4", 1 "	6.52	5.12
		165.6	130.0
524	1-1/2", 2"	7.62	6.25
		193.5	158.75
526	2-1/2", 3"	9.62	7.87
		244.3	200.0

INCHES
MILLIMETERS

CURRENT DRAIN (AMPERES)		
VOLTAGE	INRUSH	HOLDING
24V 60Hz	1.66	1.04
120V 60Hz	0.33	0.21
220V 50Hz	0.18	0.11

FORM NO. 1081312

REV	DESCRIPTION	ECO	DWN	DATE	APVD
B	UPDATED FITTINGS PART NOS.	NONE	MSM	18SEP06	
20580 Enterprise Avenue Brookfield, WI 53045 888.784.9065 www.Pentairwatertreatment.com					
SERIES K52 DIAPHRAGM VALVES SOLENOID OPERATED VALVES					
DRAWN	JWB	DATE	02JUL01	DRAWING NO.	1078160